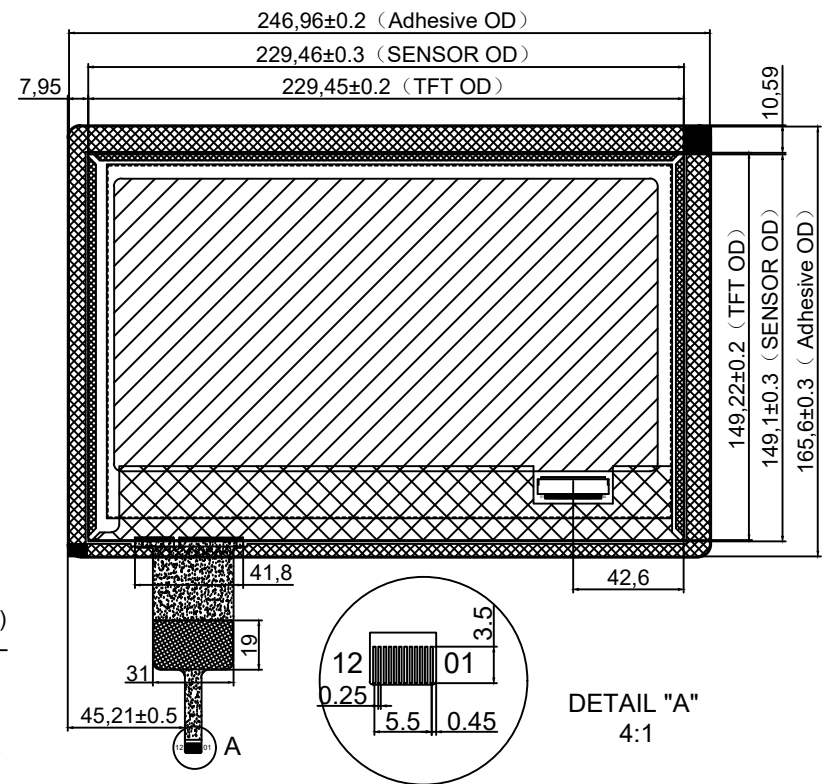
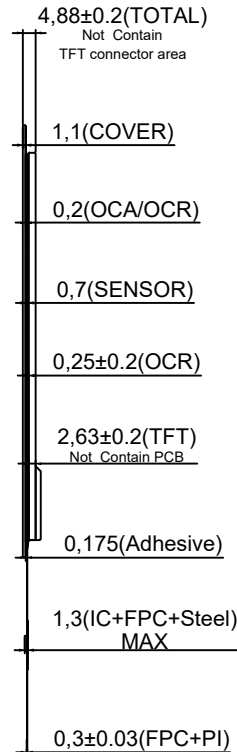
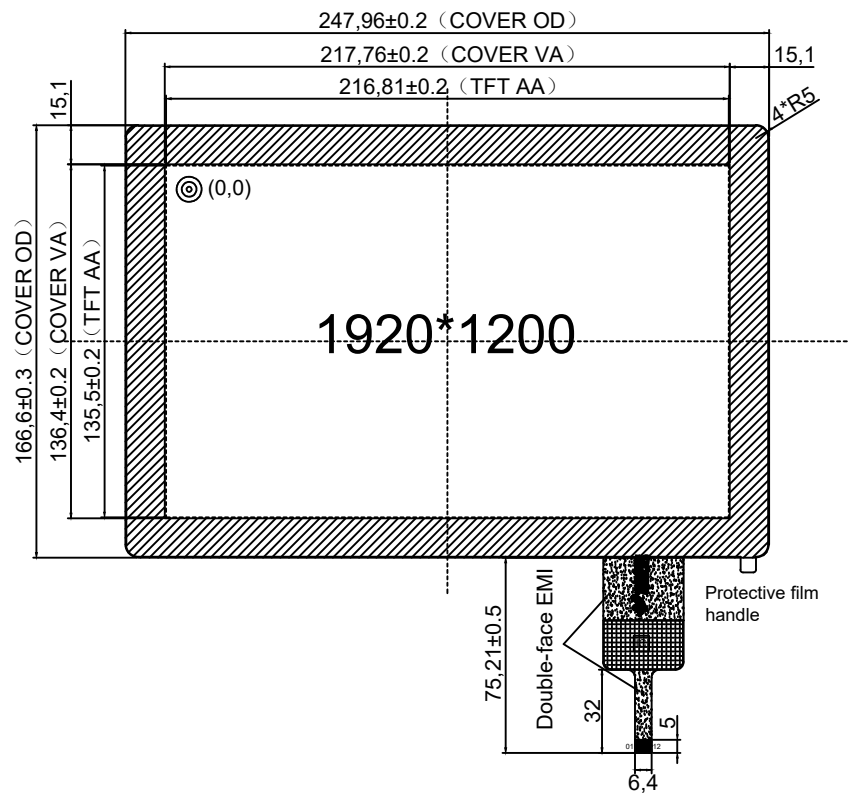


No ROHS hazardous material

Ordinal	Modify content description	Cartographer	Date of change
△			
△			



- Screen printing area: Print Black
- Optical bonding (OCA) = 0.25±0.05mm

- Double-face Adhesive(3M9495)
- TFT: EV101WUM-N20

Front view

Side view

Back view

TP Technical parameters			
1. Interfaces	I2C	7. Humidity range	45~85%RH
2. Structure	G+G+TFT (Optical bonding)	8. Transmittance	≥85%
3. IC solutions	CYTMA568	9. Hardness	≥6H
4. Impact	30.0ΦDIA. SteelBall /132g/Height=35cm/1time	10. Operate	-20℃~+70℃, ≤85%RH
5. Touch points	10 points	11. Storage	-30℃~+80℃, ≤85%RH
6. Power supply	3.3V	12. Unmarked dimension tolerance	as±0.2

T P P I N :			
1	GND	7	SDA(3.3V)
2	NC	8	SCL(3.3V)
3	NC	9	RST(3.3V)
4	NC	10	INT(3.3V)
5	SWDIO	11	VDD(3.3V)
6	GND	12	VCC(3.3V)

		杭州宏梟科技有限公司 GraHowlet Technology CO., Ltd					
Model	HX1011829			view direction		Unit	MM
Version	V1.0	Designer	LUO	Date	2021-05-27	Edition	A1
Customer		Approved		Date		Proportion	1:1